

LUM – Technical Information

A floor-mounted luminaire for decoration and orientation.



Table of contents:

A: Benefits	2
B: Application.....	2
C: Product Description	2
D: Packaging	3
E: Logistic Data	3
F: Marketing Tools	4
G: Technical Information.....	4
1. Housing, Mounting and Accessories.....	4
2. Electrical Installation	6
3. Optical features.....	6
4. Control	6
H: Tender text.....	6

A: Benefits

- Waterproofed luminaire (IP68), for up to water depth of 3 m (only Stainless Steel version).
- Uniform illumination.
- Daisy chain cabling.

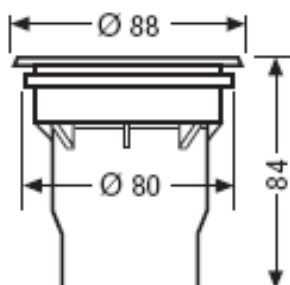
B: Application

- Orientation light on garden ways, home entrances, swimming pools.
- Highlighting of shapes and Forms in gardens, SPAS.



C: Product Description

- Fixing ring in chrome, granite look or stainless steel.
- Chrom / Granit only for indoor applications with little chemical or mechanical stress.
- Stainless Steel for indoor and outdoor applications in corrosive environment and in areas with mechanical stress (e.g. swimming pools, walking ways, environments exposed to salt spray etc.).
- Equipped with 4 OSRAM TOPLED. Available in 2 LED colors : white, blue.
- Controlled by OT 06/200-240/10 CD or OT 12/230-240/10 LE (not included).



D: Packaging

Packaging

Tbd

E: Logistic Data

Product Name	LED Color	EAN	Shipment Unit
AQUALED 4 WG (granite)	white	4050300 160580	4x1
AQUALED 4 BG (granite)	blue	4050300 160566	4x1
AQUALED 4WC (chrome)	white	4050300 160603	4x1
AQUALED 4BC (chrome)	blue	4050300 160627	4x1
AQUALED 4WV (stainless steel)	white	4008321 100276	4x1
AQUALED 4BV (stainless steel)	blue	4008321 100290	4x1

Meaning :

AQUALED 4 WV
 ↓
 ↓
 ↓
 ↓
 V = stainless steel
 W = white
 4 = 4 LED

AQUALED 4 BV
 ↓
 ↓
 ↓
 ↓
 V = stainless steel
 B = blue
 4 = 4 LED

Accessories

Product Name	EAN	Shipment Unit
OT 6/200-240/10 CE (1) for outdoor	4008321 113306	20x1
OT 12/230-240/10 LE (2) for outdoor	4008321 174253	10x1



(1)



(2)

F: Marketing Tools

- Tbd

G: Technical Information

1. Housing, Mounting and Accessories

- A floor-mounted luminaire with a fixing ring in chrome, granite look or stainless steel.

Housing material	Polycarbonate – fixing ring in chrome, granite look or stainless steel.
Housing color	Black
Net weight	207 g
Dimensions (Diam. x H)	88 mm x 85 mm
Mounting holes (wall / ground)	88 mm
Operating temperature	- 20 °C to + 50 °C
Storage temperature	- 20 °C to + 50 °C
Maximal load (Kg)	1 000 Kg
Glow wire test	850 °C
Ingress Protection	IP68
Safety class	III
Shock resistance	IK09
Approval marks	CE

Following accessories are needed :

Recessed in the ground

- AQUALED
- OT 06/200-240/10 CE – EAN code : 4008321 113306
or
- OT 12/230-240/10 LE – EAN code : 4008321 174253



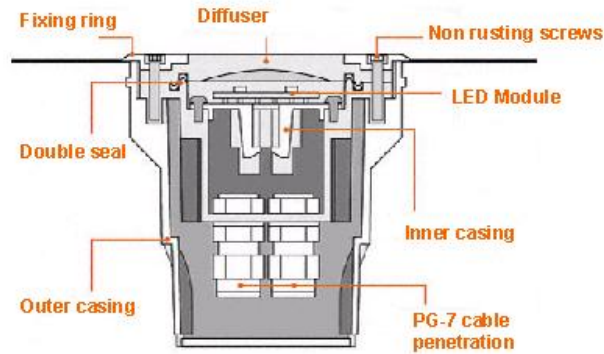
+



OR



Mounting instruction



Step 1
Insert the supply cable H05RN-F 2 x 1 mm² into the inner casing through the outer casing and the PG-7 cable penetration.



Step 2
Connect the supply cable to the terminals on the back of the LED module.



Step 3
Insert the LED module into the inner casing and screw in place.



Step 4
Screw the diffuser and mounting ring to the inner casing.



Step 5
Insert AQUALED® into the outer casing and screw the fixing ring to this casing.



Step 6
Once installed and connected to an ECG, the AQUALED® recessed floor light is ready for use.

2. Electrical Installation

- Daisy chain cabling possible.

Rated power	White : 0,4 W	Blue : 0,5 W
Mains Voltage (V)	10 V	

3. Optical features

- Uniform light distribution.

LED	TOPLED	TOPLED
Lamp color	White	Blue
Light temperature	5400 K	
Luminous flux (dimming 100%)	Blue : in progress White : in progress	

4. Control

- On/off function.

Driver used (driver not included in the luminaire)	OT 6/200-240/10 CE or OT 12/230-240/10 LE
Input voltage	Depending on power supply
Input frequency	50-60 Hz

H: Tender text

- A floor mounted luminaire for decoration and orientation.
- Waterproofed luminaire (IP68), for up to water depth of 3 m (only stainless steel version).
- Uniform illumination.
- Daisy chain cabling possible.
- Up to 12 (blue) or 15 (white) on one OT 6.
- Up to 24 (blue) or 30 (white) on one OT 12.